



SEL-2664 Field Ground Module

Protect Against Major Damage by Adding Field Ground Protection to the SEL-300G, SEL-700G, and SEL-2664S Relays With the SEL-2664



High Reliability, Low Price

- ▶ Ten-Year, Worldwide Warranty
- ▶ -40° to +85°C Operating Temperature
- ▶ Ruggedized to Meet Industrial and Utility Standards
- ▶ Wall, Panel, or Rack Mounting

Plug-In Compatibility With the SEL-300G, SEL-700G, and SEL-2664S

- ▶ Fiber-Optic Serial Connection from an SEL-2664 Field Ground Module to an SEL-300G, SEL-700G, or SEL-2664S Relay
- ▶ No Settings in the SEL-2664
- ▶ Simple Programming With ACSELERATOR Quick-Set[®] SEL-5030 Software for the SEL-300G, SEL-700G, or SEL-2664S Settings
- ▶ Local LCD Display of Settings, Measured Values (Including Insulation Resistance R_f), and Statuses in the SEL-300G or SEL-700G Relays

Field Insulation Resistance Measurement

- ▶ Superior Switched DC Voltage Injection Method
- ▶ Measurement Range to Approximately 20 M Ω
- ▶ Fault Detection Range from 500 Ω to 200 k Ω
- ▶ Detect Faults With Generator in Energized or De-Energized State

Fiber-Optic Connection to the SEL-300G, SEL-700G, or SEL-2664S

- ▶ Noise-Free Monitoring and Protection
- ▶ Reliable Digital Communications of Field Insulation Resistance and Self-Test Diagnostics
- ▶ As Far as 1000 meters Transmission Distance
- ▶ Improved Personnel Safety (Elimination of Copper Connection)

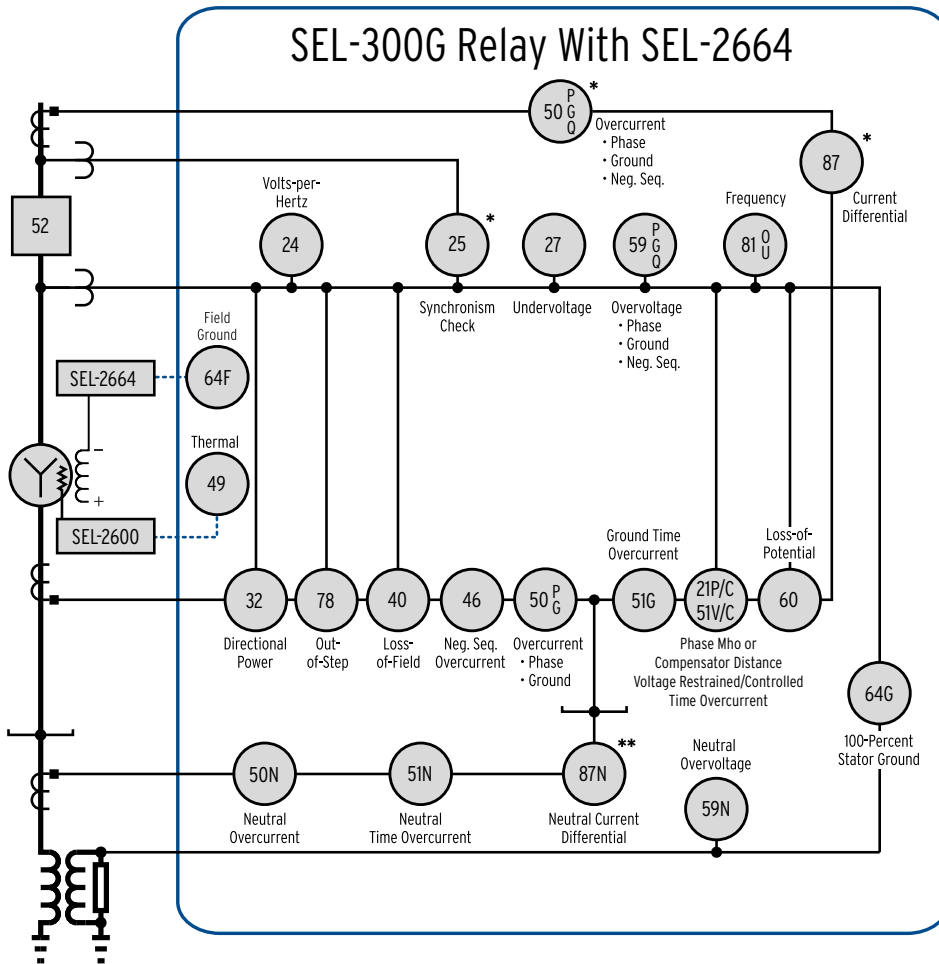
Functional Overview

The SEL-2664 Field Ground Module calculates field winding insulation resistance in the rotor of a synchronous generator. The measurement can be obtained from an energized or de-energized generator. Insulation resistance values are transmitted to an SEL-300G, SEL-700G, or SEL-2664S relay for the field ground protection element (64F) alarm and/or trip functions.

NOTE: The rotor iron of the generator must be grounded to guarantee accurate measurement of the insulation resistance between field winding and ground. Follow the machine manufacturer’s guidelines for grounding practices of the rotor iron.

The SEL-300G, SEL-700G, and SEL-2664S relays use the field insulation resistance value to detect a ground fault in an ungrounded field winding of a generator. By detecting a ground fault in the field winding, users are alerted to a possible short-circuited field winding. Avoid significant damage to the generator by taking corrective actions before a second ground path occurs.

The SEL-2664 transmits the field insulation resistance value as far as 1000 meters using inexpensive fiber-optic cable. The SEL-2664 works with continuous field voltages as high as 750 Vdc, and is able to withstand 1500 Vdc for one minute.



- SELogic® Control Equations
- Event Reports
- Sequential Events Recorder
- Breaker Wear Monitor
- Station Battery Monitor
- Modbus®, ASCII, Binary, and Distributed Port Switch Communications
- Remote and Local Control Switches
- High-Accuracy Metering
- Off-Frequency Operation Time Accumulators
- RTD-Based Thermal Protection
- Field Ground Detection

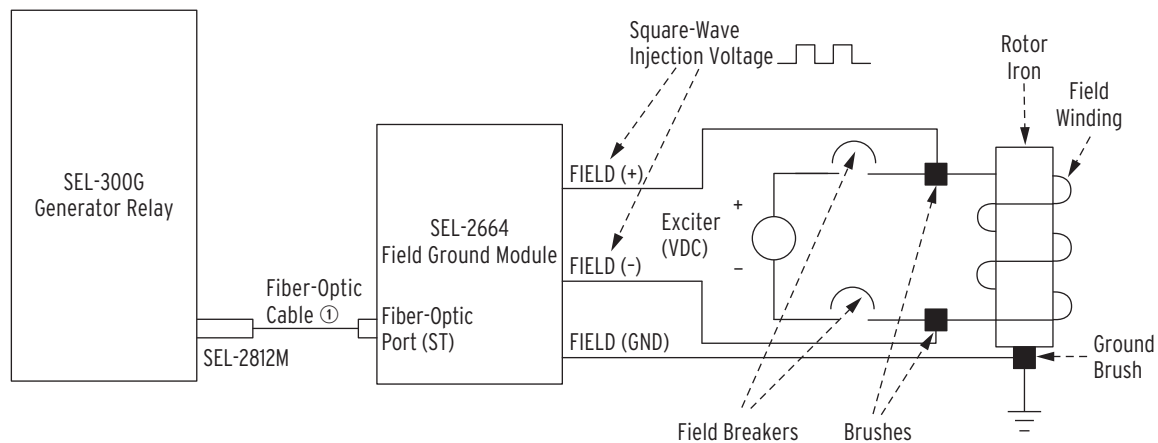
* Optional Functions
 ** Provided When 87* Is Not Specified

Figure 1 Functional Diagram of an SEL-300G With the SEL-2664 for the 64F Element (An SEL-700G or SEL-2664S application is similar)

An SEL-300G, SEL-700G, or SEL-2664S Protective Relay Application

The SEL-300G, SEL-700G, and SEL-2664S Protective Relays have a selectable field ground protection element (64F) that uses the SEL-2664 Field Ground Module to acquire insulation resistance data for alarm and trip functions. Connect the SEL-2664 to the SEL-300G as shown in *Figure 2*. On the SEL-700G and SEL-2664S relays, the fiber-optic PORT 2 connects directly to the SEL-2664.

Use a fiber-optic cable and an SEL-2812M Transceiver to transmit the insulation resistance data to the SEL-300G. The EIA-232 port used must be set for an SEL protocol and a data rate of 9600 bps, 8 data bits, no parity, and 1 stop bit to start receiving the insulation resistance value from the SEL-2664. Set and test the SEL-300G as directed in the *SEL-300G Multifunction Generator Relay Instruction Manual*. Refer to the *SEL-700G Instruction Manual* for similar settings and application details.



① Refer to the Model Option Table for cable choices.

NOTE: SEL-2812MT or SEL-2812MR Fiber-Optic Transceivers can be used because this application does not use the IRIG connection.

Figure 2 Field Ground Protection Using an SEL-300G Relay and an SEL-2664 Field Ground Module (An SEL-700G application is similar)

The SEL-2664S Stator Ground Protection Relay supports a similar application. When the SEL-2664 calculates the insulation resistance value between the field winding and ground, it uses a fiber-optic cable with ST connectors to transmit the insulation resistance value to the fiber-optic port (PORT 2) of the SEL-2664S. Consult the *SEL-2664S Instruction Manual* for detailed instructions on setting up the SEL-2664. You need to set the fiber-optic serial port (PORT 2) in the SEL-2664S to SEL protocol and 9600 bps, 8 data bits, no parity, and 1 stop bit to start receiving the insulation resistance value from the SEL-2664.

SEL-300G and SEL-700G Requirements for an SEL-2664 Application

If the field ground protection functionality is to be added to an existing SEL-300G installation, use the following checklist to determine the requirements. All SEL-700G models, except the SEL-700GT model, support field ground protection using the SEL-2664.

Existing SEL-300G	Recommended Actions for an SEL-2664 Application
Firmware version R1xx	Contact the factory for a replacement SEL-300G.
Firmware version R2xx	Consult with the factory about a hardware upgrade or a replacement SEL-300G.
Firmware version R3xx	Order a firmware conversion kit from the factory to field upgrade firmware to R323 or later.
EIA-232 Serial Port 2 or Port 3 availability	EIA-232 Port 2 or Port 3 availability is required to connect the SEL-2664 using a fiber-optic cable and an SEL-2812M Transceiver. Visit the SEL website or call the factory for cable selection and ordering information.

Table 1 Field Ground Protection (64F) (Requires SEL-2664 Field Ground Module)

Insulation Resistance Element:	0.5–200.0 kΩ
Pickup Accuracy:	±5% ± 500 Ω for 48 Vdc ≤ VF ≤ 825 Vdc ±5% ± 20 kΩ for 825 Vdc ≤ VF ≤ 1500 Vdc (VF is the generator field winding excitation dc voltage)
Pickup Time:	≤ 2 s if the injection frequency in the SEL-2664 is selected at 1 Hz ≤ 8 s if the injection frequency in the SEL-2664 is selected at 0.25 Hz
Definite-Time Delay:	0.0–99.0 s
Maximum Definite-Time Delay Accuracy:	±0.5% ±5 ms

Settings for the 64F Element

The 64F element requires that the SEL-2664 provide an insulation resistance measurement.

64F Input Option (EXT, NONE)	64FOPT = ____
Level 1 Pickup (OFF, 0.5-200.0 KΩ) <i>(hidden when 64FOPT = NONE)</i>	64F1P = ____
Level 1 Delay (0.0-99.0 sec) <i>(hidden when 64FOPT = NONE or when 64F1D = OFF)</i>	64F1D = ____
Level 2 Pickup (OFF, 0.5-200.0 KΩ) <i>(hidden when 64FOPT = NONE)</i>	64F2P = ____
Level 2 Delay (0.0-99.0 sec) <i>(hidden when 64FOPT = NONE or when 64F2D = OFF)</i>	64F2D = ____
64F Element Torque Control (SELOGIC control equation) <i>(hidden when 64FOPT = NONE)</i>	64FTC = ____

Add 64F-element Relay Word bits to the appropriate SELOGIC control equation settings to generate the front-panel messages, alarm, trip, event report, and SER report.

SEL-300G METER Command Report With Field Insulation Resistance Rf

(Available on Front-Panel LCD Display or Serial Port)

```

=>MET <Enter>
GENERATOR                               Date: 02/20/04   Time: 07:58:54.990
TERMINAL
      A           B           C           N           G
I MAG (A)  904.052  903.011  908.535  0.034  4.286
I ANG (DEG) -4.96   -124.88  115.02  56.40  90.93
      A           B           C           N
V MAG (KV)  7.910   7.905   7.917   0.000
V ANG (DEG)  0.00   -119.89  120.09  8.22
      VP3        VN3        VN1
V MAG (sV)  0.003   0.001   0.001
      A           B           C           3P
MW          7.125   7.111   7.165  21.401
MVAR        0.619   0.622   0.635  1.875
PF          0.996   0.996   0.996  0.996
      LAG        LAG        LAG        LAG
      I1         3I2        3I0        V1           V2           3V0
MAG         905.199  6.096   4.286   7.911   0.008   0.004
ANG (DEG)   -4.94   -124.45  90.93  0.07   -99.02  -48.37
FREQ (Hz)   60.01
V/Hz (percent) 99.60
FIELD INSULATION Rf (k ohms) 16666.6
=>
    
```

Table 2 Field Insulation

Rf (kΩ)	Generator field winding insulation resistance. If 64FOPT = EXT and the 64FFLT Relay Word bit equals zero, the insulation resistance value is displayed. If 64FOPT = EXT and the 64FFLT Relay Word bit equals one, the message FIELD INSULATION Rf (k ohms) Fail is displayed. If 64FOPT = NONE, nothing is displayed.
---------	--

SEL-300G STATUS Command Report With Field Ground Module (FGM) Status

(Available on Front-Panel LCD Display or Serial Port)

```

=>STA <Enter>
GENERATOR                               Date: 01/20/00   Time: 10:20:19.544
TERMINAL
FID=SEL_300G-X207-V31H425XX4X-Z001001-D20000217   CID=04B0
SELF TESTS
W=Warn  F=Fail
OS      IA      IB      IC      IN      VA      VB      VC      VN      MOF
0       0       1       0       1       1       0       0       1       0
+5V_PS +5V_REG -5V_REG +12V_PS -12V_PS +15V_PS -15V_PS
4.95   5.01   -4.99  11.96  -12.05  14.90  -14.93
TEMP   RAM    ROM    A/D    CR_RAM  EEPROM IO_BRD
42.5   OK     OK     OK     OK      OK     OK
FGM    COMM  MODULE
OK     OK
Relay Enabled
    
```

SEL-700G and SEL-2664S also support similar settings, and MET and STA reports. Please refer to the SEL-700G and SEL-2664S instruction manuals for details.

Table 3 Communication and Module (SEL-2664) Status Values

COMM	MODULE	Description
OK	OK	Receiving valid communications
OK	FAIL	Receiving communications from a device with a status word indicating a remote failure
FAIL	N/A	Lost communications
FAIL	FAIL	Lost communications, but the last communication from the device contains a status word indicating a remote failure

SEL-2664 Data Packet Definition

The SEL-2664 sends a binary data packet approximately every half period of the square-wave injection voltage. When the injection frequency is selected at 0.25 Hz, the packet transmits every 2 seconds. When the injection frequency is selected at 1.0 Hz, the packet transmits every 500 milliseconds. The packet contains data for insulation resistance and self-test status; therefore no software setting is necessary in the SEL-2664. The SEL-2812M Fiber-Optic Transceiver (with ST connectors) plus any EIA-232 device can be configured to process the binary packet contents shown in *Table 4*.

Table 4 SEL-2664 Data Packet Definitions (Sheet 1 of 2)

Data Value	Data Size	Description of Data
A546h	2 bytes	Beginning of message code
1Eh	1 byte	Message length (28 bytes)
0000000000h	5 bytes	Routing value (0)
0	1 byte	Status byte
12h	1 byte	Function code
C0h	1 byte	Sequence byte
01h	1 byte	Field Ground Module identifier byte
xxxx	2 bytes	Field Ground Module status
xxxx	2 bytes	Counter that is incremented when an insulation resistance measurement occurs.
xxxxxxx	4 bytes	Insulation resistance, scaled at 1 bit = 1 ohm
xxxx	2 bytes	Future use

Table 4 SEL-2664 Data Packet Definitions (Sheet 2 of 2)

Data Value	Data Size	Description of Data
xxxx	2 bytes	Injection waveform period, scaled at 1 bit = 1 millisecond
xxxxxxx	4 bytes	Firmware release version. First character is an ASCII alphabetic character. Remaining 3 characters are ASCII numeric characters.
yyyy	2 bytes	CRC-16 block check code

The SEL-2664 front faceplate TX LED is pulsed when it is transmitting data.

SEL-2664 Self-Tests

The SEL-2664 runs a variety of self-tests. When there is a failure and the device is disabled, the module will extinguish the **ENABLED LED**. *Table 5.1* in the *SEL-2664 Field Ground Module Instruction Manual* lists hardware self-tests, test methods, and actions taken.

SEL-2664 Injection Voltage Frequency Selection Criteria

The SEL-2664 injects a square-wave voltage at a fixed injection frequency (Fg) to the generator field winding. The fixed frequency Fg can be selected between two values, 0.25 Hz or 1 Hz, using a jumper located on the main board of the SEL-2664. If Jumper 1A is at the OPEN position, the frequency of the square-wave voltage injection is 0.25 Hz. If Jumper 1A is at the CLOSE position, the frequency of the square-wave voltage injection is 1 Hz.

For generators with an overall field-to-ground capacitance (C_{fg}) less than 2.5 microfarads, Fg can be set to 1 Hz and ensure the stated accuracy for the 64F element. For generators with C_{fg} less than 10 microfarads, Fg should be set at 0.25 Hz to ensure the stated accuracy for the 64F element. The SEL-2664 works with other generators that have overall field-to-ground capacitance more than 10 microfarads, but the actual error may not be within the stated accuracy.

When Fg is set at 1 Hz, the SEL-2664 measures insulation resistance every 0.5 seconds. If operating time is important to your applications, follow the guidelines in *Table 5* to select the frequency for the square-wave dc signal injection. Otherwise, leave the module at its default jumper setting of 0.25 Hz.

Table 5 Jumper Settings

Field-to-Ground Capacitance (CFG)	Jumper Position (Jumper 1A)	Injected Signal Frequency (FG)	Time Between Each Insulation Resistance Calculation	Accuracy	Comment
$C_{fg} < 2.5 \mu\text{F}$	Close	1 Hz	0.5 seconds	Within Spec.	Operating time is faster
$2.5 \mu\text{F} \leq C_{fg} \leq 10 \mu\text{F}$	Open	0.25 Hz	2 seconds	Within Spec.	Shipped default position
$C_{fg} > 10 \mu\text{F}$	Open	0.25 Hz	2 seconds	Not Within Spec.	Recommended setting for generators with $C_{fg} > 10 \mu\text{F}$

SEL Communications Processor Applications

The SEL-2664 Field Ground Module communicates with an SEL communications processor to enhance many protection and monitoring applications. The communications processor monitors insulation resistance data from the SEL-2664, performs threshold comparisons, and sends control commands to a protective relay.

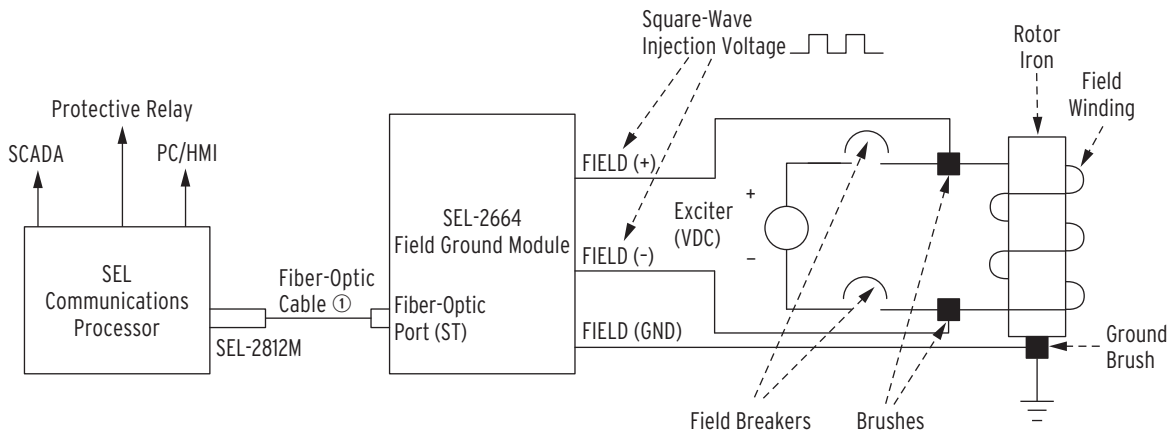
You can program an SEL communications processor to perform five automated steps.

- Receive an insulation resistance data packet from the SEL-2664.
- Store the insulation resistance data packet in memory.

- Convert the insulation resistance raw data into the insulation resistance value.
- Perform insulation resistance threshold comparisons.
- Issue control commands to a protective relay based on the insulation resistance comparisons.

Figure 3 shows a possible configuration using the SEL-2664 and an SEL communications processor. Contact SEL for help in applying these products in other configurations.

Refer to the SEL-2664 *Field Ground Module Instruction Manual* for more details, including configuration of the SEL communications processor.



① Refer to the Model Option Table for cable choices.

Note: SEL-2812MT or SEL-2812MR Fiber-Optic Transceivers can be used because this application does not use the IRIG connection.

Figure 3 Field Ground Protection With an SEL Communications Processor

Wiring Diagrams

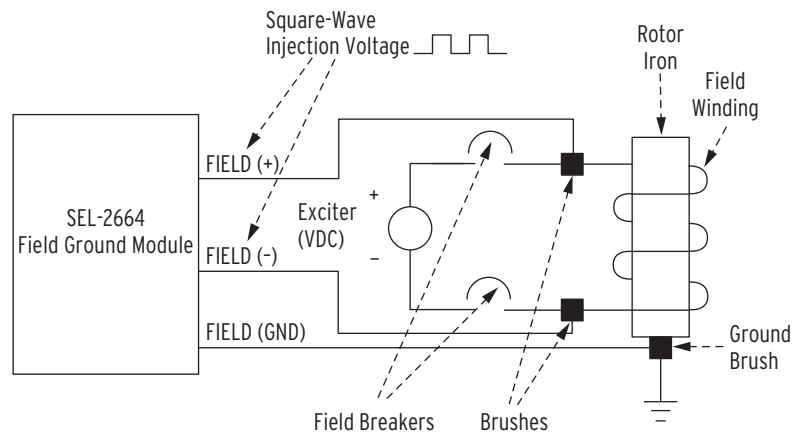


Figure 4 Typical SEL-2664 Connection Diagram

Front- and Rear-Faceplate Diagrams



Figure 5 SEL-2664 Front Faceplate

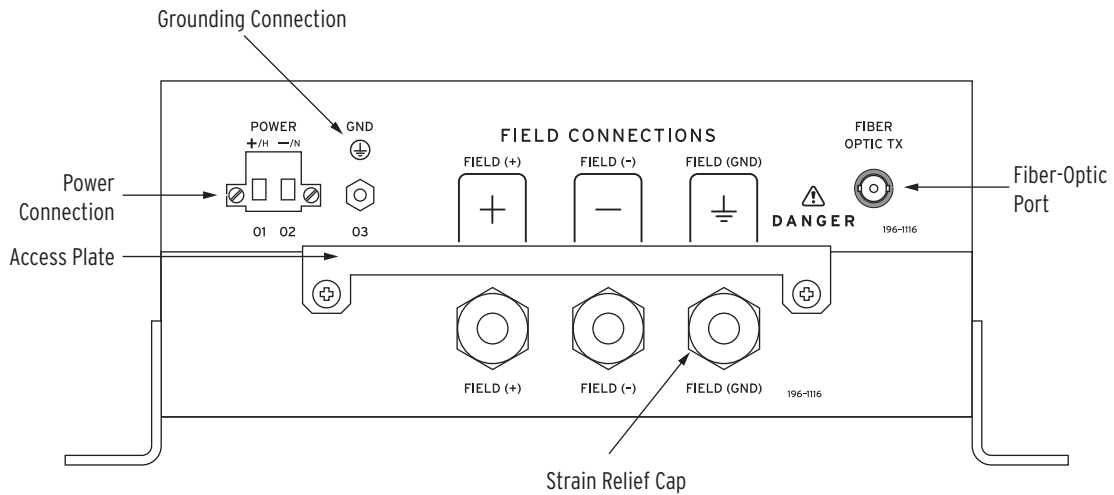


Figure 6 SEL-2664 Side- or Rear-Faceplate Diagram

Product Dimensions

WALL-MOUNT CHASSIS

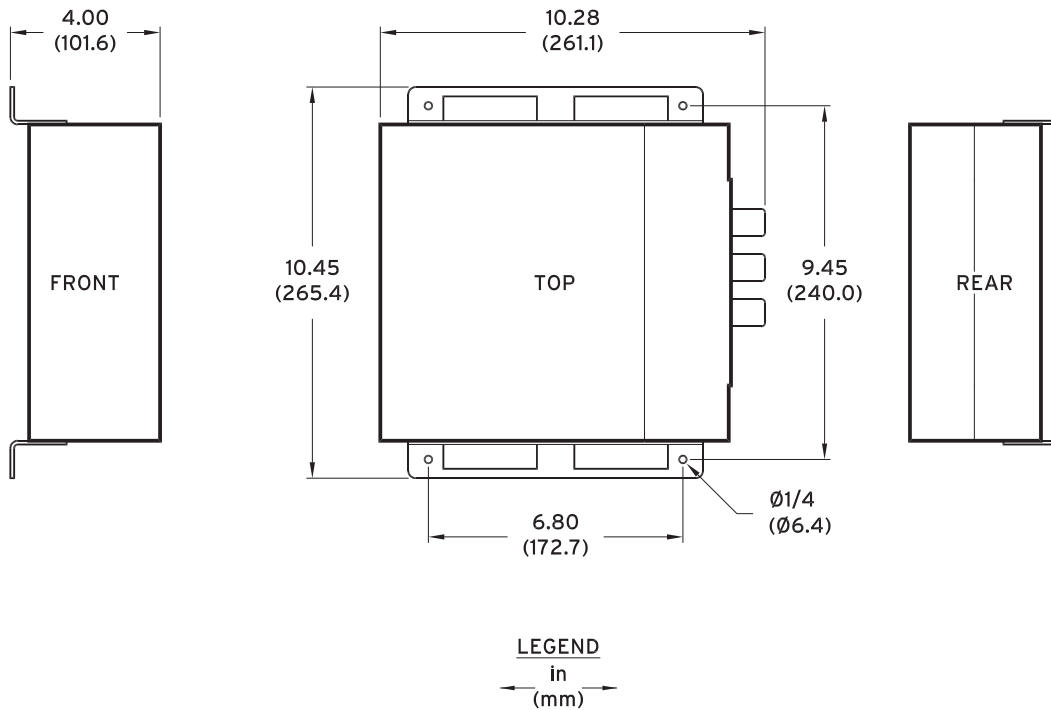
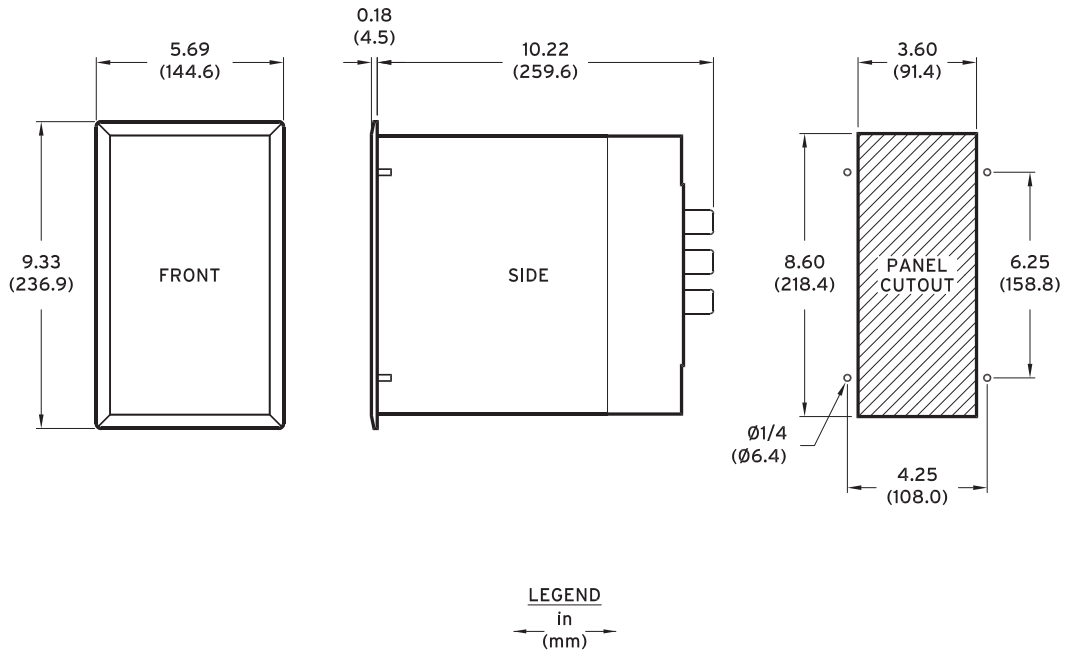


Figure 7 Wall-Mount Chassis

i9081b

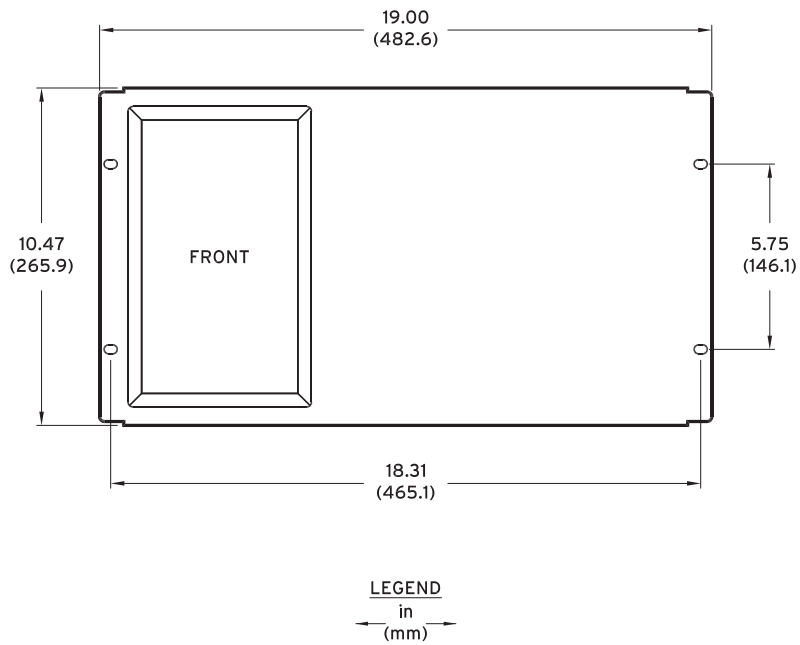
PANEL-MOUNT CHASSIS



i9087a

Figure 8 Panel-Mount Chassis

RACK-MOUNT CHASSIS



i9088b

Figure 9 Rack-Mount Chassis

Specifications

Compliance

Designed and manufactured under an ISO 9001 certified quality management system

UL Listed to U.S. and Canadian safety standards (File E329283; NMTR, NMTR7)

CE Mark

RCM Mark

General

Power Supply

Nominal Input Voltage: 24–250 Vdc
110–240 Vac (50/60 Hz)

Input Voltage Range: 18–300 Vdc
85–264 Vac

Power Consumption: <5 W or 15 VA

Fuse Ratings

Ratings: 1.6 A

Maximum Rated Voltage: 300 Vdc, 250 Vac

Breaking Capacity: 1500 A at 250 Vac

Type: Time-lag T

Operating Temperature

–40° to +85°C (–40° to +185°F)

Operating Environment

Insulation Class: I

Pollution Degree: 2

Overvoltage Category: II

Atmospheric Pressure: 80–110 kPa

Relative Humidity: 5%–95%, noncondensing

Maximum Altitude Without Derating (Consult the Factory for Higher Altitude Derating): 2000 m

Dimensions

See *Figure 2.2*, *Figure 2.3*, and *Figure 2.4* for device dimensions.

Weight

1.36–1.81 kg (3–4 lb)

Power Terminal Connections

Compression Plug Tightening Torque

Minimum: 0.5 Nm (4.4 in-lb)
Maximum: 1.0 Nm (8.8 in-lb)

Frequency

50, 60 Hz

DC Voltage Input

Nominal Operating Voltage (U_c): 60–750 Vdc continuous

Maximum Rated Voltage Range: 48–825 Vdc continuous

Rated Insulation Voltage: 825 Vdc

1-Minute Thermal Rating: 1500 Vdc

Common Mode Voltage for Accuracy: ≤ 50 Vdc

Rated Impulse Voltage (U_{imp}): 5000 V

Continuous Current Rating: 0.5 A

Measurement Category II

Fiber-Optic Port

One port consisting of a transmit (no receive) multimode fiber-optic interface with ST connections

Location: Rear Panel

Transmission Distance: ≤ 1000 meters

Fiber-Optic Cable: 50, 62.5, and 200 μ m fiber

Wavelength: 850 nm

Data Rate: 9600 bps

Optical Source: 850 nm VCSEL transmitter

Typical Transmit Level: –12 dBm

Maximum Output Level: –3.0 dBm

Communication Protocols

SEL ASCII

Xmodem file transfer

SEL Fast Message Unsolicited Block Transmit

Element Accuracies

Insulation Resistance Measurement

Measurement Range: 500 Ω –20 M Ω

Measurement Accuracy,

Steady State (only applicable to 500 Ω –200 k Ω): $\pm 5\% \pm 500 \Omega$ for $48 \leq VF \leq 825$ Vdc
 $\pm 5\% \pm 20$ k Ω for $825 \leq VF \leq 1500$ Vdc

Note: VF = Field Voltage

Wire Sizes

Use 105°C-rated wiring. Wire sizes for grounding (earthing) and power connections are dictated by the terminal blocks and expected load currents. You can use the following table as a guide in selecting wire sizes:

Connection Type	Minimum Wire Size	Maximum Wire Size	Insulation Voltage
Grounding (Earthing) Connection	16 AWG (1.3 mm ²)	14 AWG (2.1 mm ²)	300 V min
Power Connection	16 AWG (1.3 mm ²)	14 AWG (2.1 mm ²)	300 V min
Field Terminal Connections	18AWG (0.8 mm ²)	14 AWG (2.1 mm ²)	825 V min

Product Standards

Electromagnetic Compatibility:	IEC 60255-26:2013 IEC 60255-27:2013
Product Safety:	EN 60255-27:2013 ed 2.0 IEC 61010-1:2001 [BS EN 61010-1:2001] UL 508 CAN/CSA C22.2 No. 14-10

Type Tests

Environmental

Object Penetration and Dust Ingress:	IEC 60529:1989 + A1:1991 + A2:2013 IEC 60255-27:2013; Section 10.6.2.6 Severity Level: IP20
Vibration Resistance:	IEC 60255-21-1:1998 IEC 60255-27:2013; Section 10.6.2.1
Endurance:	Class 2
Response:	Class 1
Shock Resistance:	IEC 60255-21-2:1998 IEC 60255-27:2013; Section 10.6.2.2 IEC 60255-27:2013; Section 10.6.2.3
Withstand:	Class 1
Response:	Class 2
Bump:	Class 1
Seismic Resistance:	IEC 60255-21-3:1993 IEC 60255-27:2013; Section 10.6.2.4
Quake Response:	Class 2
Cold:	IEC 60255-27:2013; Section 10.6.1.2 IEC 60255-27:2013; Section 10.6.1.4 IEC 60068-2-1:2007 -40°C, 16 hours
Dry Heat:	IEC 60255-27:2013; Section 10.6.1.1 IEC 60255-27:2013; Section 10.6.1.3 IEC 60068-2-2:2007 85°C, 16 hours
Damp Heat, Steady State:	IEC 60068-2-78:2012 Severity Level: 93% RHMin, 40°C; 10 days
Damp Heat, Cyclic:	IEC 60068-2-30:2005 Severity Level: 25°C to 55°C, 6 cycles Relative Humidity: 95%

Dielectric Strength and Impulse Tests

Dielectric Strength:	IEC 60255-27:2013; Section 10.6.4.3 IEEE C37.90-2005 3.1 kVdc on power supply terminals 4.2 kVdc on field terminals
Impulse:	IEC 60255-27:2013, Section 10.6.4.2 Severity Level: 0.5 J, 5 kV IEEE C37.90-2005 Severity Level: 0.5 J, 5 kV

RFI and Interference Tests

EMC Immunity	
Electrostatic Discharge Immunity:	IEC 61000-4-2:2008 IEC 60255-26:2013; Section 7.2.3 IEEE C37.90.3-2001 Severity Level 4 8 kV contact discharge 15 kV air discharge

Radiated RF Immunity:	IEC 61000-4-3:2010 IEC 60255-26:2013; Section 7.2.4 10 V/m
Fast Transient/Burst Immunity:	IEC 61000-4-4:2012 IEC 60255-26:2013; Section 7.2.5 4 kV at 5.0 kHz
Surge Immunity:	IEC 61000-4-5:2005 IEC 60255-26:2013; Section 7.2.7 1 kV line-to-line 2 kV line-to-earth
Surge Withstand Capability Immunity:	IEC 61000-4-18:2010 IEC 60255-26:2013; Section 7.2.6 2.5 kV common mode 1 kV differential mode IEEE C37.90.1-2002 2.5 kV oscillatory 4 kV fast transient
Conducted RF Immunity:	IEC 61000-4-6:2004 IEC 60255-26:2013; Section 7.2.9 Severity Level: 10 Vrms
Magnetic Field Immunity:	IEC 61000-4-8:2009 IEC 60225-26:2013; Section 7.2.10 Severity Level: 1000 A/m for 3 seconds, 100 A/m for 1 minute; 50/60 Hz IEC 61000-4-9:2001 Severity Level: 1000 A/m IEC 61000-4-10:2001 Severity Level: 100 A/m (100 kHz and 1 MHz)
Power Supply Immunity:	IEC 61000-4-11:2004 IEC 61000-4-17:1999 IEC 61000-4-29:2000 IEC 60255-26:2013; Section 7.2.11, 7.2.12, 7.2.13

EMC Emissions

Conducted Emissions:	IEC 60255-26:2013 Class A FCC 47 CFR Part 15.107 Class A ICES-003 Issue 6 EN 55011:2009 + A1:2010 Class A EN 55022:2010 + AC:2011 Class A EN 55032:2012 + AC:2013 Class A CISPR 11:2009 + A1:2010 Class A CISPR 22:2008 Class A CISPR 32:2015 Class A
Radiated Emissions:	IEC 60255-26:2013 Class A FCC 47 CFR Part 15.109 Class A ICES-003 Issue 6 EN 55011:2009 + A1:2010 Class A EN 55022:2010 + AC:2011 Class A EN 55032:2012 + AC:2013 Class A CISPR 11:2009 + A1:2010 Class A CISPR 22:2008 Class A CISPR 32:2015 Class A

Safety

Laser Safety:	21 CFR 1040.10 Product Class: Class 1 IEC 60825-1:2007 Class 1
---------------	--

Notes

© 2006-2018 by Schweitzer Engineering Laboratories, Inc. All rights reserved.

All brand or product names appearing in this document are the trademark or registered trademark of their respective holders. No SEL trademarks may be used without written permission. SEL products appearing in this document may be covered by U.S. and Foreign patents.

Schweitzer Engineering Laboratories, Inc. reserves all rights and benefits afforded under federal and international copyright and patent laws in its products, including without limitation software, firmware, and documentation.

The information in this document is provided for informational use only and is subject to change without notice. Schweitzer Engineering Laboratories, Inc. has approved only the English language document.

This product is covered by the standard SEL 10-year warranty. For warranty details, visit selinc.com or contact your customer service representative.

SCHWEITZER ENGINEERING LABORATORIES, INC.

2350 NE Hopkins Court • Pullman, WA 99163-5603 U.S.A.

Tel: +1.509.332.1890 • Fax: +1.509.332.7990

selinc.com • info@selinc.com

