



Annunciation and Notification Overview

SEL-2523

selinc.com/products/2523

Starting Price
\$3,830 USD

Provide local and remote notifications with the SEL-2523 Annunciator Panel, which includes programmable logic and up to four communications ports.



SEL-2522

selinc.com/products/2522

Starting Price
\$2,180 USD

Apply the SEL-2522 Alarm Panel with up to 36 inputs to easily view the status of alarms and operating events.



SEL-2533

selinc.com/products/2533

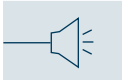
Starting Price
\$1,560 USD

Use the compact, ten-window SEL-2533 Annunciator to provide local and remote annunciation.



	SEL-2522	SEL-2523	SEL-2533
Applications			
Local Visual Indication	■	■	■
Remote Visual Indication		■	■
Local Audible Indication	■	■	■
Remote Audible Indication	■	■	■
Telephone Dial-Out Messages		■	■
Local SELLogic® Control Equations and Time Tagging		■	■
Mounting and Labeling			
Rack Mount	+	+	
Panel Mount	+	+	■
User-Defined Slide-In Labels	■	■	■
Inputs, Outputs, and HMI			
General-Purpose Digital Inputs	36	42	14*
Acknowledge, Reset, Test Digital Inputs	3	6	4*
General-Purpose Digital Outputs	1	11	14*
Alarm Digital Output	1	1	1
General Display LEDs/Windows	36	36	10
Enabled LED	1	1	1
Pushbuttons	3	4	4
Base Serial Ports		3	3
Optional Additional EIA-232 or EIA-485 Port		1	1
IRIG-B Time Input		1	1
ISA Annunciation Alarm Sequence Choices	2	8	8
Serial Communications Protocols			
SEL MIRRORED BITS® Communications		■	■
SEL Fast Messages		■	■
Send SEL Messenger Points		■	■
Modbus RTU		■	■
DNP3 Level 2 Outstation		+	+

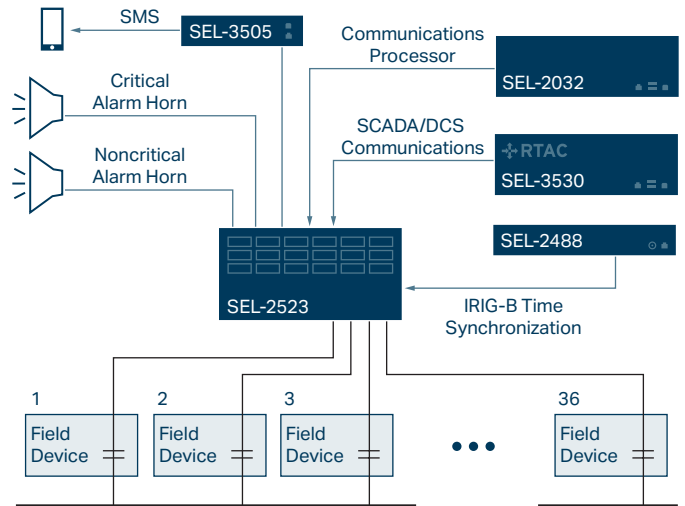
■ Standard feature + Model option



Annunciation and Notification Applications

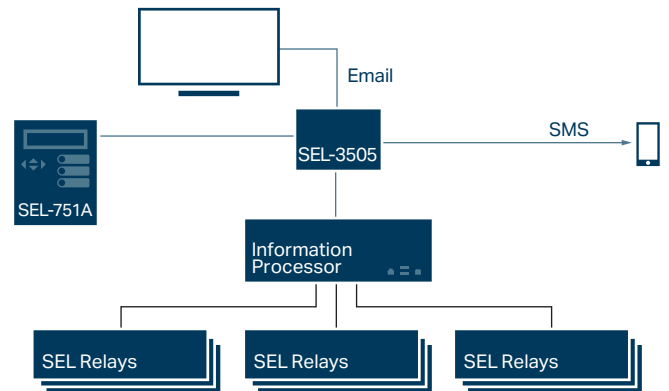
System monitoring

Receive station equipment status information through hardwired contacts or communications devices to provide a single-point alarm station. SEL annunciators can monitor equipment, report the status of any equipment that has failed, and notify local and remote personnel of current conditions.



Remote alarm notification

Transmit important system data and alarm information by phone to on-call operators. SEL annunciators enable on-call responses to critical alarms for municipal and industrial sites.



Automated alarming

Eliminate control hardwiring with 40 remote control bits. With SELogic® control equations, you can program remote bits into custom control schemes, such as SCADA-type control operations (i.e., alarm triggers), acknowledgment, and device status indication.

